



广州市番禺奥迪威电子有限公司
Audiowell Electronics (Guangzhou) Co., Ltd.
 地址: 中国广东省广州市番禺区迎宾路东升工业区 邮政编码: 511400
 Add: Dongsheng Industrial Park, Yingbin Road, Panyu, Guangzhou 511400, China
 Tel: +86-20-84802041 84802405 84871596 34518785 Fax: 84665207



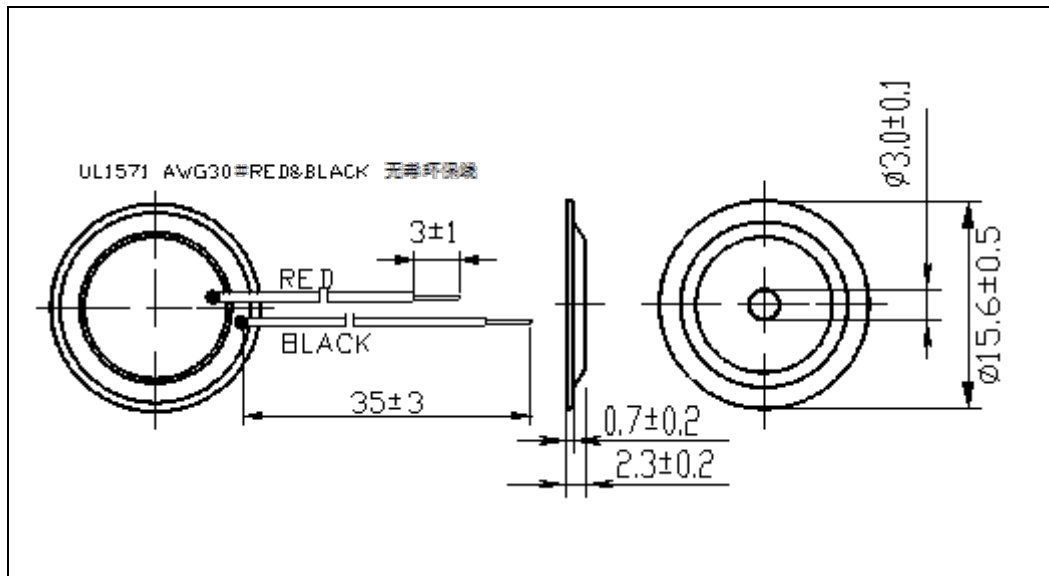
PIEZO BUZZER SPECIFICATIONS

Model:AW1S15.6TEL-101Z

Electrical Specification:

Sound pressure level	74dBmin.(2240Hz/9Vp-p Square Wave/10cm)
	49dBmin.(1000Hz/9Vp-p Square Wave/10cm)
Max. input voltage	30Vp-p
Electrostatic capacity Co	9500 ± 30% pF at 1000Hz/1V
Housing material	ALUMINUM
Lead wire	UL1571 AWG30#
Operating Tem. range	-20 °C~+60 °C
Storage Tem. Range	-30 °C~+70 °C
Weight	0.7g
Dimension	See drawing

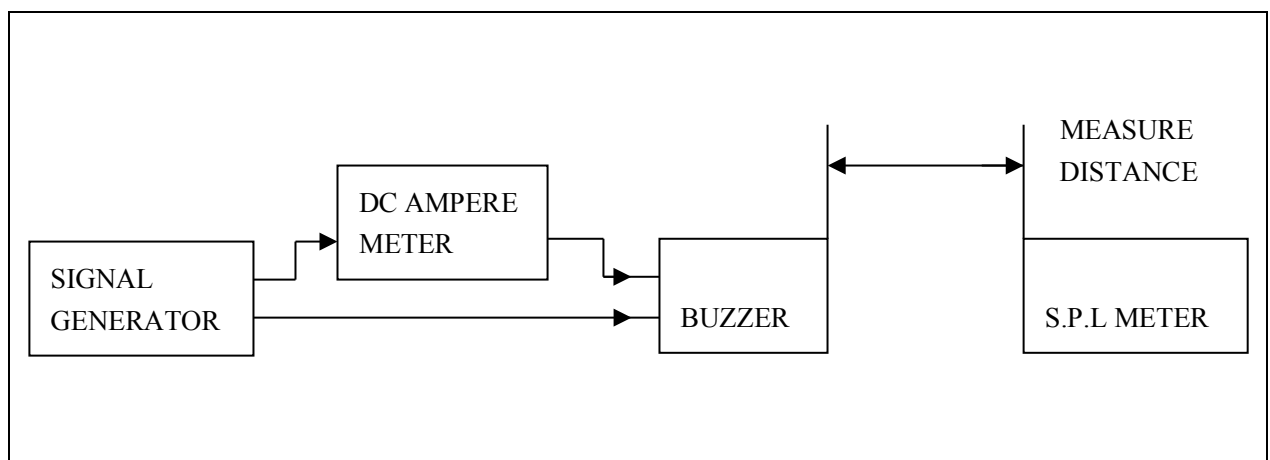
APPEARANCE AND DIMENSIONS:



INSPECTION STANDARD:

Item tested		Standard	AQL	Level	Tooling	Remarks
structure and size	housing diameter	$\phi 15.6 \pm 0.5$	1.5	S3	vernier calipers	to be measured at MAX. size, see drawing attached
	overall height	2.3 ± 0.2			vernier calipers	
	length of lead wires	35 ± 3			vernier calipers	
Appearance	appearance quality	clean, no rust no stain and no patency scratch	1.5	II	eye	at a place under 40w light 1 meter, and watching directly in 30cm distance
	symbol	clear, firmness			eye	
Electrical specification	no sounding	3—16V signal	0.25	II	ear	there should be no sounding, harsh sound
	sound output	74dB min.	0.65	II	sound pressure level meter	distance at 10cm with mounting to inspection device in a standard manner (A range)
	electrostatic capacity	$95000 \pm 30\%$	1.5	II	capacity meter	at 2240Hz reference frequency
	current				multimeter	
Lead wire or Pin	pulling	5N	1.5	S3	poise	
	solderable	T=280° C t=2 sec			soldering iron	

■ SOUND PRESSURE TEST METHOD:



TYPICAL FREQUENCY RESPONSE CURVE (9Vp-p Square Wave/10cm):

公司名称: AUDIOWELL

类型: 蜂鸣器

型号: 15AL101

频率响应特性曲线

